



LENKUNG, MECHANIK
STEERING SYSTEM, MECHANICAL PARTS

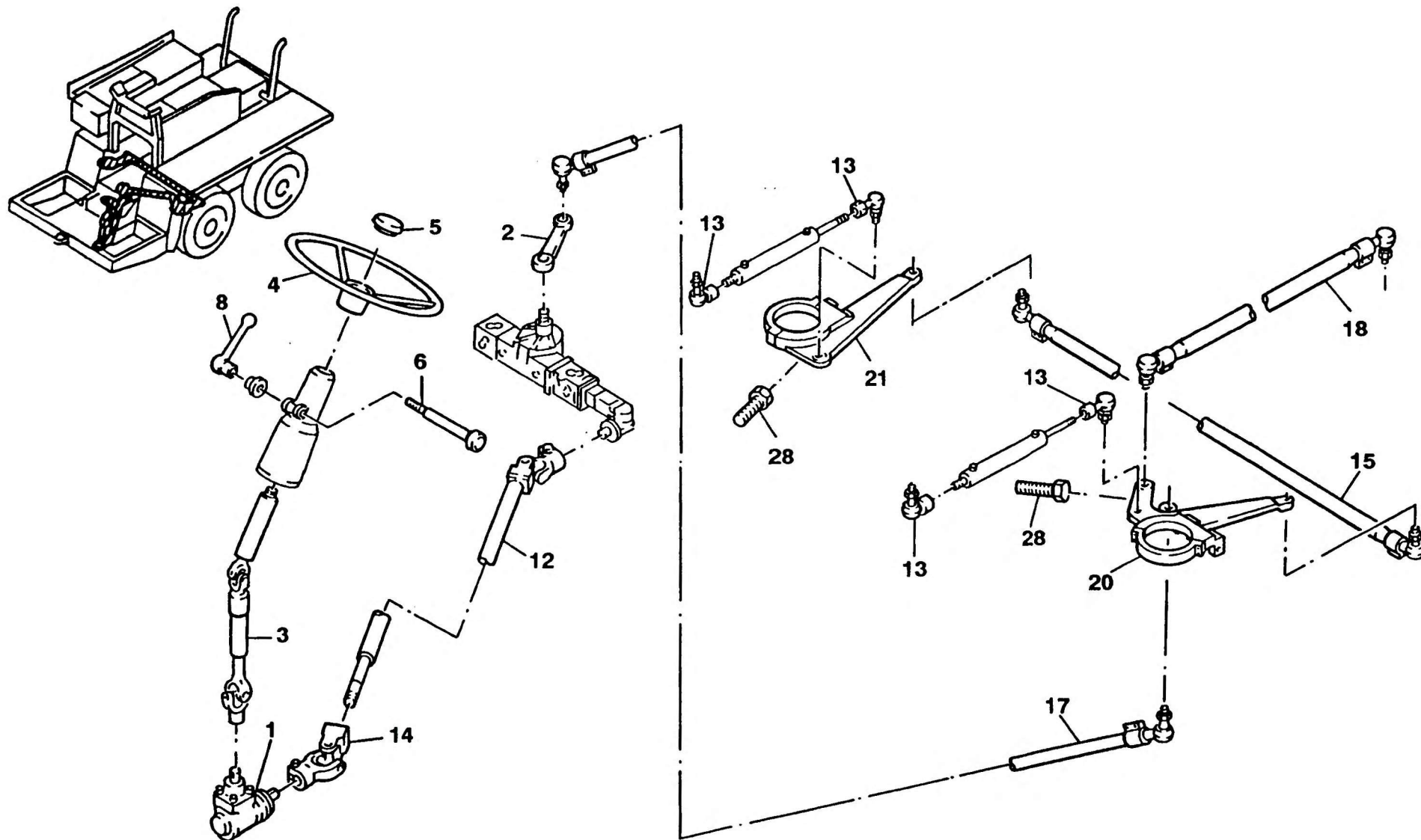
BILDTAFEL
PICTORIAL DISPLAY

KMK 6200
BE 520
G 072

09.91

2082803-ETL D

1/2



A08_048



LENKUNG, MECHANIK
STEERING SYSTEM, MECHANICAL PARTS

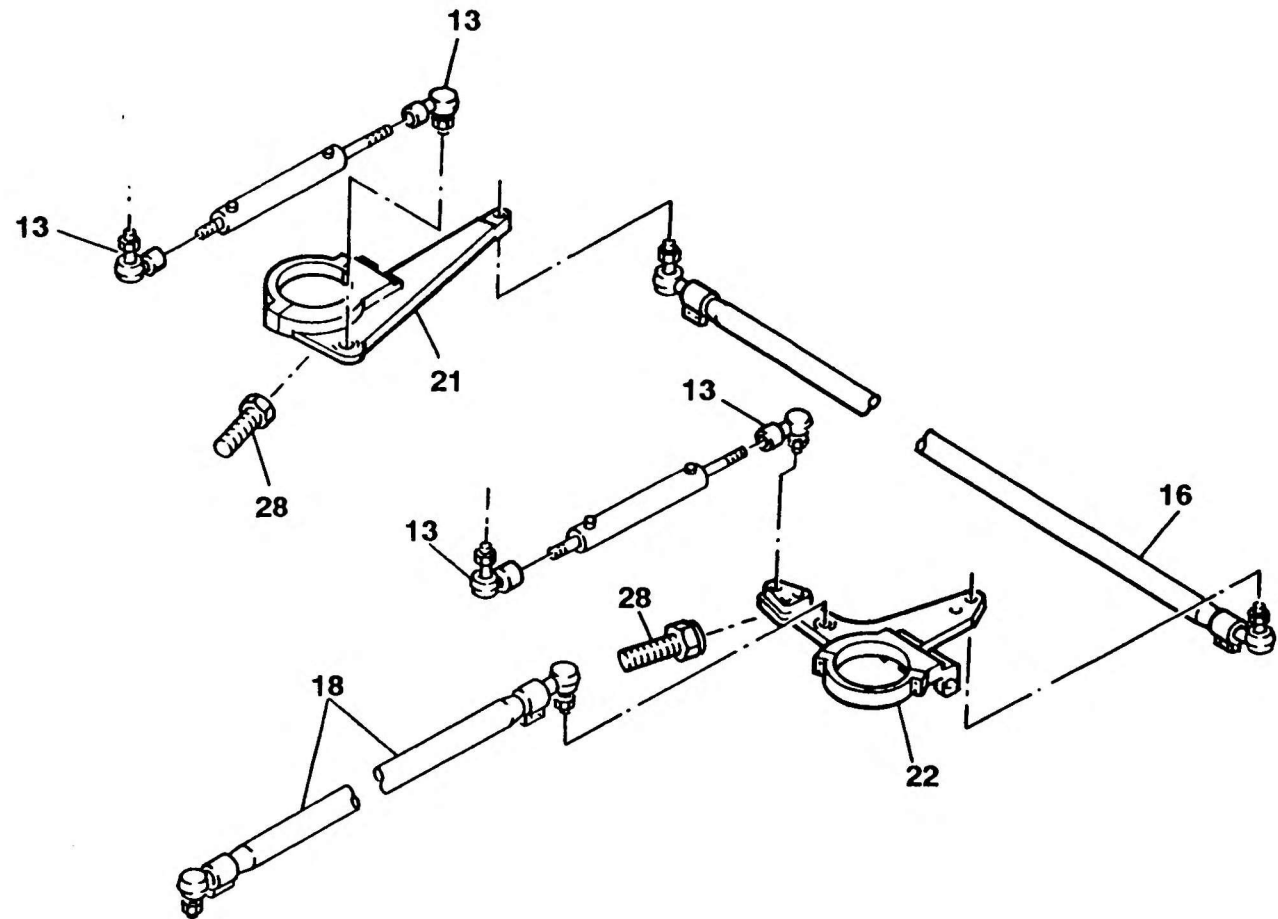
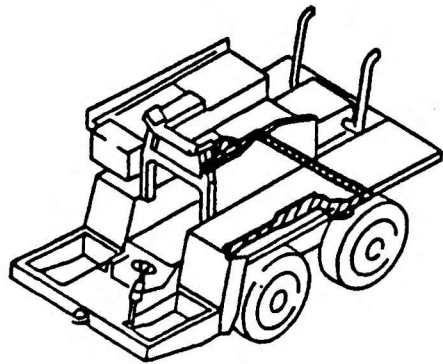
BILDТАFEL
PICTORIAL DISPLAY

KMK 6200
BE 520
G 072

09.91

2082803-ETL D

2/2



A08_047